

AJ11 Hanging Type



STANDARD CONFIGURATION

- Dental Chair
 - * With left and moveable right armrests.
 - * Seamless upholstery.
 - * Doctor Stool 1pcs.
- Instrument Tray
 - * Top-mounted or Hanging type instrument tray.
 - * Two high speed and one low speed handpieces tubes. (2 hole or 4 hole)
 - * One three-way syringe.
- Assistant Side
 - * One three-way syringe.
 - * One Air suction and one saliva ejector.
- Unit Box
 - * Water heater system.
 - * Integrated spittoon system.
 - * Pure water system.
- Lamp
 - * Cooling light without sensor.
- Control System
 - * One round plastic foot control and one foot panel made of stainless steel.
 - * One control panel on the instrument tray. (without memory)
- Junction Box
 - * One junction box for air and water inlet and outlet.



Top mounted instrument tray

SPECIFICATIONS

- * Voltage: 100/110/120/220/230V, 50/60Hz
- * Air pressure: 550-800 Kpa
- * Water pressure: 200-400 Kpa
- * Net Weight: 270 Kgs
- * Gross weight: 300 Kgs
- * Packing dimensions: 1420×1020×1150 mm

ajax



Seamless soft upholstery

The Seamless soft upholstery is anatomically shaped, and is ideal for long-term treatment. The movement of seat and backrest is synchronized. This inhibits the "pulling on the patient's clothes effect".



Armrest

The right armrest is moveable. It enables the patients to sit or left the dental chair easily.



Assistant side

The assistant side is multi-direction. It's convenient for use.



Instrument tray

Top-mounted and hanging types instrument trays are both in good design. They afford proper functions for the dentist.



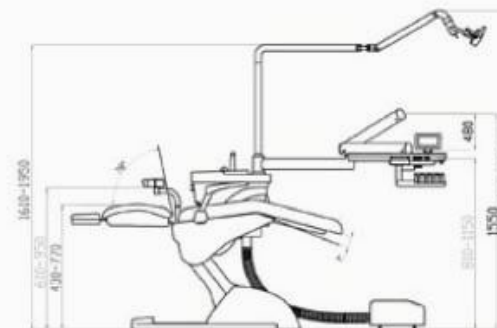
Ordinary lamp

The ordinary lamp has two levels with mechanical switch as well as another switch button on the control panel.



Ceramic cuspidor

The ceramic cuspidor is integrated.



*Dimensions are quoted in millimetres.

